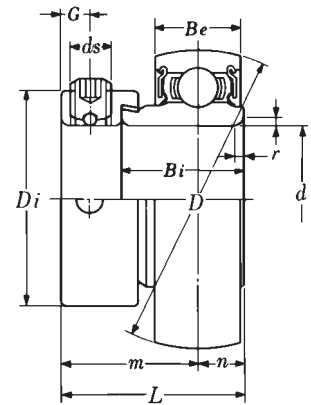


## BALL BEARING INSERTS – AEL2 SERIES

Bore <i>d</i>	Bearing Number	Nominal Dimensions										Socket Set Screw <i>ds</i>	Basic Load Ratings (lbs)	
		<i>D</i>	<i>L</i>	<i>Bi</i>	<i>Be</i>	<i>r</i>	<i>n</i>	<i>m</i>	<i>G</i>	<i>Di</i>	Dynamic <i>C</i>		Static <i>C<sub>0</sub></i>	
12 ½	AEL201 AEL201-008	40 1.5748	28.6 1.126	19 .748	12 .472	1 .039	6.5 .256	22.1 .870	4.8 .189	29 1.14	M6 X 0.75 ¼-28UNF	2,160	1,030	
15 ⅝ ⅞	AEL202 AEL202-009 AEL202-010	40 1.5748	28.6 1.126	19 .748	12 .472	1 .039	6.5 .256	22.1 .870	4.8 .189	29 1.14	M6 X 0.75 ¼-28UNF	2,160	1,030	
17 ⅞	AEL203 AEL203-011	40 1.5748	28.6 1.126	19 .748	12 .472	1 .039	6.5 .256	22.1 .870	4.8 .189	29 1.14	M6 X 0.75 ¼-28UNF	2,160	1,030	
20 ¾	AEL204 AEL204-012	47 1.8504	31 1.219	21.5 .846	14 .551	1.5 .059	7.5 .295	23.5 .924	4.8 .189	33 1.31	M6 X 0.75 ¼-28UNF	2,890	1,500	
25 1⅜ 1⅝ 1⅞	AEL205 AEL205-013 AEL205-014 AEL205-015 AEL205-100	52 2.0472	31 1.219	21.5 .846	15 .591	1.5 .059	7.5 .295	23.5 .924	4.8 .189	38 1.50	M6 X 0.75 ¼-28UNF	3,150	1,760	
30 1⅞ 2 2⅜	AEL206 AEL206-101 AEL206-102 AEL206-103 AEL206-104	62 2.4409	35.7 1.406	23.8 .937	16 .630	1.5 .059	9 .354	26.7 1.052	6 .236	44.5 1.75	M8 X 1 ⅝-24UNF	4,400	2,540	
35 2 2⅜ 2⅝ 2⅞	AEL207 AEL207-104 AEL207-105 AEL207-106 AEL207-107	72 2.8346	38.9 1.531	25.4 1.000	17 .669	2 .079	9.5 .374	29.4 1.157	6.8 .268	55.5 2.19	M10 X 1.25 ¾-24UNF	5,750	3,440	
40 2⅞ 3	AEL208 AEL208-108 AEL208-109	80 3.1496	43.7 1.719	30.2 1.189	18 .709	2 .079	11 .433	32.7 1.286	6.8 .268	60 2.37	M10 X 1.25 ¾-24UNF	6,550	4,000	

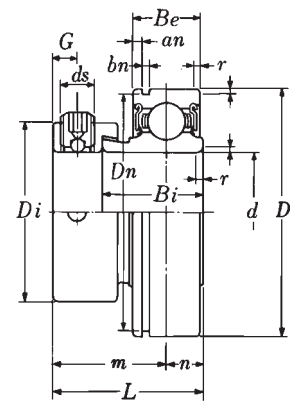
Units: Millimeters  
INCHES



AEL2

## BALL BEARING INSERTS – AELS2 SERIES

Bore <i>d</i>	Bearing Number	Nominal Dimensions												Socket Set Screw <i>ds</i>	Basic Load Ratings (lbs)	
		<i>D</i>	<i>L</i>	<i>Bi</i>	<i>Be</i>	<i>r</i>	<i>n</i>	<i>m</i>	<i>G</i>	<i>Di</i>	<i>Dn</i>	<i>an</i>	<i>bn</i>		Dynamic <i>C</i>	Static <i>C<sub>0</sub></i>
12 ½	AELS201N AELS201-008N	40 1.5748	28.6 1.126	19 .748	12 .472	1 .039	6.5 .256	22.1 .870	4.8 .189	29 1.14	38.1 1.500	1.98 .078	1.5 .059	M6 X 0.75 ¼-28UNF	2,160	1,030
15 ⅝ ⅞	AELS202N AELS202-009N AELS202-010N	40 1.5748	28.6 1.126	19 .748	12 .472	1 .039	6.5 .256	22.1 .870	4.8 .189	29 1.14	38.1 1.500	1.98 .078	1.5 .059	M6 X 0.75 ¼-28UNF	2,160	1,030
17 ⅞	AELS203N AELS203-011N	40 1.5748	28.6 1.126	19 .748	12 .472	1 .039	6.5 .256	22.1 .870	4.8 .189	29 1.14	38.1 1.500	1.98 .078	1.5 .059	M6 X 0.75 ¼-28UNF	2,160	1,030
20 ¾	AELS204N AELS204-012N	47 1.8504	31 1.219	21.5 .846	14 .551	1.5 .059	7.5 .295	23.5 .924	4.8 .189	33 1.31	44.6 1.756	2.38 .094	1.5 .059	M6 X 0.75 ¼-28UNF	2,890	1,500
25 1⅜ 1⅝ 1⅞	AELS205N AELS205-013N AELS205-014N AELS205-015N AELS205-100N	52 2.0472	31 1.219	21.5 .846	15 .591	1.5 .059	7.5 .295	23.5 .924	4.8 .189	38 1.50	49.7 1.958	2.38 .094	1.5 .059	M6 X 0.75 ¼-28UNF	3,150	1,760
30 1⅞ 2 2⅜	AELS206N AELS206-101N AELS206-102N AELS206-103N AELS206-104N	62 2.4409	35.7 1.406	23.8 .937	16 .630	1.5 .059	9 .354	26.7 1.052	6 .236	44.5 1.75	59.6 2.347	3.18 .125	2.05 .081	M8 X 1 ⅝-24UNF	4,400	2,540
35 2 2⅜ 2⅝ 2⅞	AELS207N AELS207-104N AELS207-105N AELS207-106N AELS207-107N	72 2.8346	38.9 1.531	25.4 1.000	17 .669	2 .079	9.5 .374	29.4 1.157	6.8 .268	55.5 2.19	68.8 2.709	3.18 .125	2.05 .081	M10 X 1.25 ¾-24UNF	5,750	3,440
40 2⅞ 3	AELS208N AELS208-108N AELS208-109N	80 3.1496	43.7 1.719	30.2 1.189	18 .709	2 .079	11 .433	32.7 1.286	6.8 .268	60 2.37	76.8 3.024	3.18 .125	2.05 .081	M10 X 1.25 ¾-24UNF	6,550	4,000



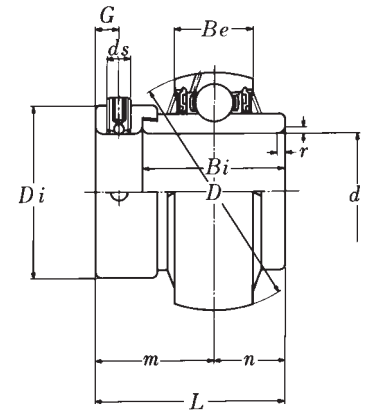
AELS2

# BALL BEARING INSERTS

Units: **Millimeters**  
**INCHES**

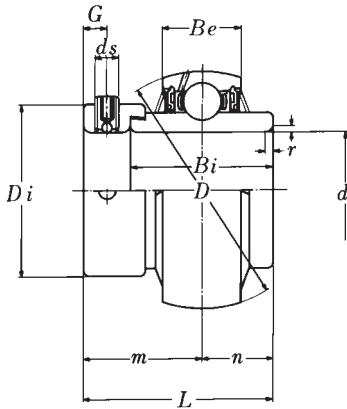


Bore <i>d</i>	Bearing Number	Nominal Dimensions									Socket Set Screw <i>ds</i>	Basic Load Ratings (lbs)	
		<i>D</i>	<i>L</i>	<i>Bi</i>	<i>Be</i>	<i>r</i>	<i>n</i>	<i>m</i>	<i>G</i>	<i>Di</i>		Dynamic <i>C</i>	Static <i>C<sub>0</sub></i>
20 ¾	UEL204D1 UEL204-012D1	47 1.8504	43.7 1.720	34.2 1.346	18 .709	1.5 .059	17.1 .672	26.6 1.047	4.8 .189	33 1.31	M6 X 0.75 ¼-28UNF	2,890	1,500
25 1 3/16 7/8 1 1/8	UEL205D1 UEL205-013D1 UEL205-014D1 UEL205-015D1 UEL205-100D1	52 2.0472	44.4 1.748	34.9 1.374	18 .709	1.5 .059	17.5 .688	26.9 1.059	4.8 .189	38 1.50	M6 X 0.75 ¼-28UNF	3,150	1,760
30 1 1/8 1 1/16 1 3/16 1 1/4	UEL206D1 UEL206-101D1 UEL206-102D1 UEL206-103D1 UEL206-104D1	62 2.4409	48.4 1.906	36.5 1.437	20 .787	1.5 .059	18.3 .719	30.1 1.185	6 .236	44.5 1.75	M8 X 1 5/16-24UNF	4,400	2,540
35 1 1/4 1 5/16 1 3/8 1 7/16	UEL207D1 UEL207-104D1 UEL207-105D1 UEL207-106D1 UEL207-107D1	72 2.8346	51.1 2.012	37.6 1.480	22 .866	2 .079	18.8 .742	32.3 1.272	6.8 .268	55.5 2.19	M10 X 1.25 ¾-24UNF	5,750	3,440
40 1 1/2 1 5/8	UEL208D1 UEL208-108D1 UEL208-109D1	80 3.1496	56.3 2.217	42.8 1.685	24 .945	2 .079	21.4 .844	34.9 1.374	6.8 .268	60 2.37	M10 X 1.25 ¾-24UNF	6,550	4,000
45 1 5/8 1 11/16 1 3/4	UEL209D1 UEL209-110D1 UEL209-111D1 UEL209-112D1	85 3.3465	56.3 2.217	42.8 1.685	24 .945	2 .079	21.4 .844	34.9 1.374	6.8 .268	63.5 2.50	M10 X 1.25 ¾-24UNF	7,350	4,590
50 1 13/16 1 7/8 1 15/16 2	UEL210D1 UEL210-113D1 UEL210-114D1 UEL210-115D1 UEL210-200D1	90 3.5433	62.7 2.469	49.2 1.937	25 .984	2 .079	24.6 .969	38.1 1.500	6.8 .268	69.5 2.74	M10 X 1.25 ¾-24UNF	7,900	5,220
55 2 2 1/16 2 1/8 2 3/16	UEL211D1 UEL211-200D1 UEL211-201D1 UEL211-202D1 UEL211-203D1	100 3.9370	71.4 2.811	55.5 2.185	27 1.063	2.5 .098	27.8 1.094	43.6 1.717	8 .315	76 3.00	M10 X 1.25 ¾-24UNF	9,750	6,560
60 2 1/4 2 3/8 2 7/16	UEL212D1 UEL212-204D1 UEL212-206D1 UEL212-207D1	110 4.3307	77.8 3.063	61.9 2.437	30 1.181	2.5 .098	31 1.219	46.8 1.843	8 .315	84 3.31	M10 X 1.25 ¾-24UNF	11,800	8,100
65 2 1/2	UEL213D1 UEL213-208D1	120 4.7244	85.7 3.374	68.3 2.689	32 1.260	2.5 .098	34.15 1.344	51.55 2.030	8.7 .343	97 3.819	M10 X 1.25 ¾-24UNF	12,900	9,000
70 2 11/16 2 3/4	UEL214D1 UEL214-211D1 UEL214-212D1	125 4.9213	85.7 3.374	68.3 2.689	33 1.299	2.5 .098	34.15 1.344	51.55 2.030	8.7 .343	97 3.819	M10 X 1.25 ¾-24UNF	13,900	9,900
75 2 15/16 3	UEL215D1 UEL215-215D1 UEL215-300D1	130 5.1181	92 3.622	74.6 2.937	34 1.339	2.5 .098	37.3 1.469	54.7 2.154	8.7 .343	102 4.016	M10 X 1.25 ¾-24UNF	14,800	11,100



**NTN**  
**SERIES**  
**UEL3**  
**ECCENTRIC**  
**LOCKING**  
**COLLAR**  
**TYPE**

Units: **Millimeters**  
**INCHES**



**BALL BEARING INSERTS**

Bore <i>d</i>	Bearing Number	Nominal Dimensions									Socket Set Screw <i>ds</i>	Basic Load Ratings (lbs)	
		<i>D</i>	<i>L</i>	<i>Bi</i>	<i>Be</i>	<i>r</i>	<i>n</i>	<i>m</i>	<i>G</i>	<i>Di</i>		Dynamic <i>C</i>	Static <i>C<sub>0</sub></i>
25 7/8 1 1/16 1	UEL305D1	62	46.8	34.9	20	2	16.7	30.1	6	42.8	M8 X 1 5/16-24UNF	4,770	2,450
	UEL305-014D1	2.4409	1.843	1.374	.787	.079	.657	1.185	.236	1.685			
	UEL305-015D1												
	UEL305-100D1												
30 1 1/8 1 3/16	UEL306D1	72	50	36.5	23	2	17.5	32.5	6.7	50	M8 X 1 5/16-24UNF	6,000	3,370
	UEL306-102D1	2.8346	1.969	1.437	.906	.079	.689	1.280	.264	1.969			
	UEL306-103D1												
35 1 1/4 1 5/16 1 3/8 1 7/16	UEL307D1	80	51.6	38.1	25	2.5	18.3	33.3	6.7	55	M8 X 1 5/16-24UNF	7,530	4,290
	UEL307-104D1	3.1496	2.031	1.500	.984	.098	.720	1.311	.264	2.165			
	UEL307-105D1												
	UEL307-106D1												
UEL307-107D1													
40 1 1/2	UEL308D1	90	57.1	41.3	27	2.5	19.8	37.3	8	63.5	M10 X 1.25 3/8-24UNF	9,100	5,400
	UEL308-108D1	3.5433	2.248	1.626	1.063	.098	.780	1.469	.315	2.500			
45 1 5/8 1 11/16 1 3/4	UEL309D1	100	58.7	42.9	29	2.5	19.8	38.9	8	70	M10 X 1.25 3/8-24UNF	11,900	7,200
	UEL309-110D1	3.9370	2.311	1.689	1.142	.098	.780	1.531	.315	2.756			
	UEL309-111D1												
UEL309-112D1													
50 1 7/8 1 15/16	UEL310D1	110	66.6	49.2	32	3	24.6	42	8.7	76.2	M10 X 1.25 3/8-24UNF	13,900	8,660
	UEL310-114D1	4.3307	2.622	1.937	1.260	.118	.969	1.654	.343	3.000			
	UEL310-115D1												
55 2 2 1/8 2 3/16	UEL311D1	120	73	55.6	34	3	27.8	45.2	8.7	83	M10 X 1.25 3/8-24UNF	16,100	10,100
	UEL311-200D1	4.7244	2.874	2.189	1.339	.118	1.094	1.780	.343	3.268			
	UEL311-202D1												
UEL311-203D1													
60 2 1/4 2 3/8 2 7/16	UEL312D1	130	79.4	61.9	36	3.5	30.95	48.45	8.7	89	M10 X 1.25 3/8-24UNF	18,400	11,700
	UEL312-204D1	5.1181	3.126	2.437	1.417	.138	1.219	1.907	.343	3.504			
	UEL312-206D1												
	UEL312-207D1												
65 2 1/2	UEL313D1	140	85.7	65.1	39	3.5	32.55	53.15	10.3	97	M12 X 1.5 1/2-20UNF	20,800	13,500
	UEL313-208D1	5.5118	3.374	2.563	1.535	.138	1.281	2.093	.406	3.819			
70 2 11/16 2 3/4	UEL314D1	150	92.1	68.3	41	3.5	34.15	57.95	10.3	102	M12 X 1.5 1/2-20UNF	23,400	15,300
	UEL314-211D1	5.9055	3.626	2.689	1.614	.138	1.344	2.281	.406	4.016			
	UEL314-212D1												
75 2 15/16 3	UEL315D1	160	100	74.6	43	3.5	37.3	62.7	12.7	113	M16 X 1.5 5/8-18UNF	25,400	17,300
	UEL315-215D1	6.2992	3.937	2.937	1.693	.138	1.469	2.469	.500	4.449			
	UEL315-300D1												
80 3 1/8 3 3/16	UEL316D1	170	106.4	81	45	3.5	40.5	65.9	12.7	119	M16 X 1.5 5/8-18UNF	27,700	19,400
	UEL316-302D1	6.6929	4.189	3.189	1.772	.138	1.594	2.594	.500	4.685			
	UEL316-303D1												
85 3 1/4	UEL317D1	180	109.5	84.1	47	4	42.05	67.45	12.7	127	M16 X 1.5 5/8-18UNF	29,900	21,800
	UEL317-304D1	7.0866	4.311	3.311	1.850	.157	1.656	2.656	.500	5.000			
90 3 7/16 3 1/2	UEL318D1	190	115.9	87.3	49	4	43.65	72.25	14.3	133	M20 X 1.5 3/4-16UNF	32,100	24,100
	UEL318-307D1	7.4803	4.563	3.437	1.929	.157	1.719	2.844	.563	5.236			
	UEL318-308D1												
95 3 3/4	UEL319D1	200	122.3	93.7	51	4	38.9	83.4	14.3	140	M20 X 1.5 3/4-16UNF	34,400	26,800
	UEL319-312D1	7.8740	4.815	3.689	2.008	.157	1.531	3.283	.563	5.512			
100 3 15/16 4	UEL320D1	215	128.6	100	55	4	50	78.6	14.3	146	M20 X 1.5 3/4-16UNF	38,900	31,700
	UEL320-315D1	8.4646	5.063	3.937	2.165	.157	1.969	3.094	.563	5.748			
	UEL320-400D1												
105	UEL321D1	225	139.7	104.8	57	4	48.4	91.3	17.5	157	M20 X 1.5	41,400	34,400
110	UEL322D1	240	141.3	106.4	59	4	49.2	92.1	17.5	168	M20 X 1.5	46,100	40,200